

SWEDLUXURY

PSI
PROUD
EKVATOR
HERO

1



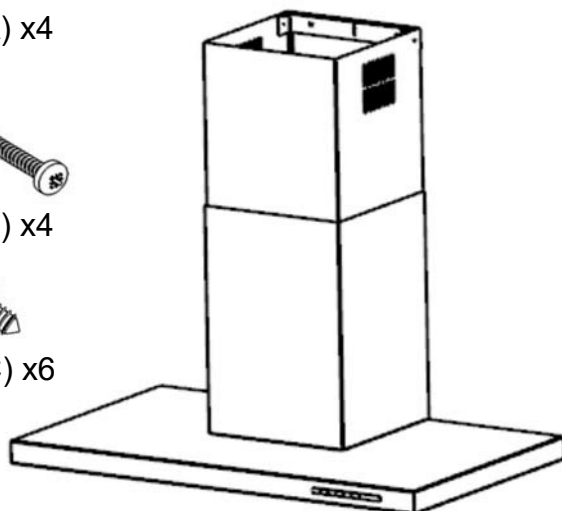
(A) x4



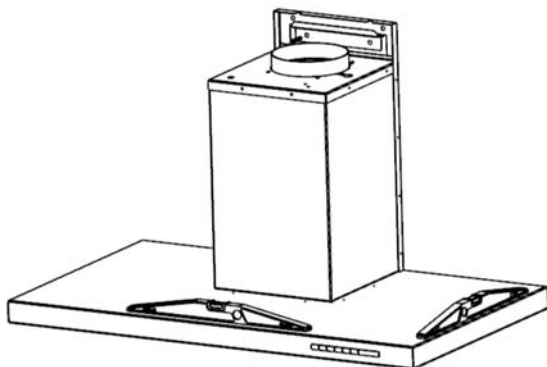
(B) x4



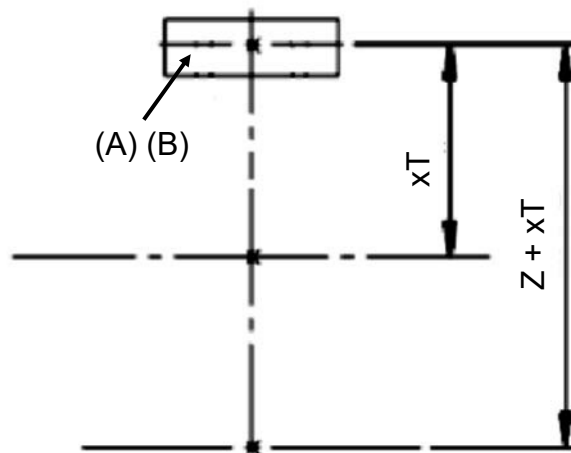
(C) x6



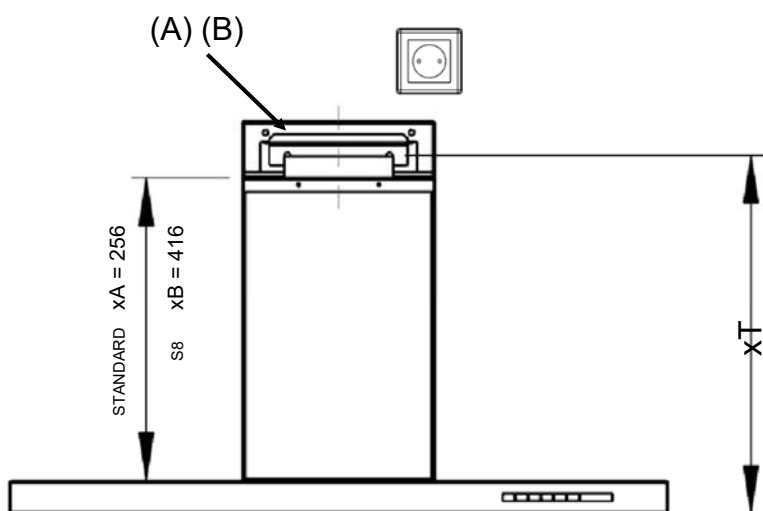
2



3

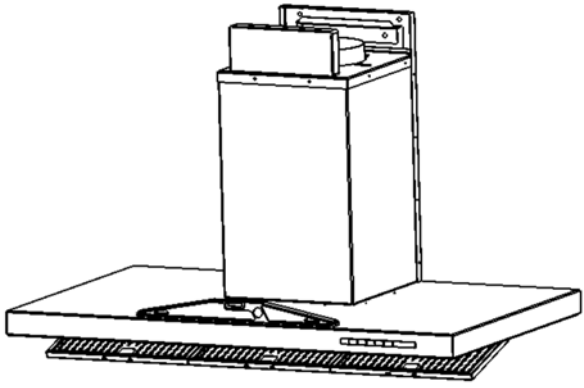


4



	xT	
	xA	xB
PSI	330	490
PROUD	330	490
EKVATOR	356	516
HERO	335	495

5



6

